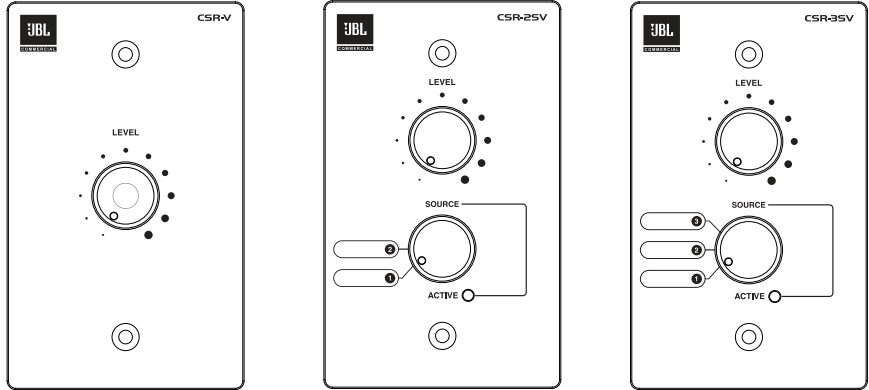


CSR Series



OVERVIEW:

The CSR series of controllers allow the CSM series of mixers to be controlled remotely. The CSR series consists of three models: the CSR-V, the CSR-2SV, and the CSR-3SV. The CSR-V allows volume control. The CSR-2SV allows volume control and source selection between two (2) sources. The CSR-3SV allows volume control and source selection between three (3) sources. The following table summarizes this functionality.

Remote Control	Source Select	Volume
CSR-V		✓
CSR-2SV	2	✓
CSR-3SV	3	✓

Equipped with RJ-45 connectors, the CSR controllers connect to a CSM mixer via Cat 5 cable, over a maximum distance of 1000 feet (305 meters). The CSM-21 allows connection of one (1) CSR controller, and the CSM-32 allows connection of up to two (2) CSR controllers.

The CSM-21 is compatible with the CSR-V and the CSR-2SV. The CSM-32 is compatible with the CSR-V, the CSR-2SV, and the CSR-3SV. The following table summarizes this compatibility.

Remote Control	Mixer	
	CSM-21	CSM-32
CSR-V	✓	✓
CSR-2SV	✓	✓*
CSR-3SV		✓

*when using two input sources

All CSR controllers are available in white or black, and in single-gang EU or single-gang US form factor.

The CSR-2SV and CSR-3SV each contain a green LED. This LED illuminates when the CSR controller is the active source selector for the zone (i.e. when the Source Select knob on the CSM mixer is set to the "REMOTE" position). If desired, this LED can be disabled for inconspicuous operation.



CSR Series

TECHNICAL SPECIFICATIONS:

Connector:	RJ-45
Cable Type:	Cat 5, straight-through cable, 7568B standard
Maximum Cable Length:	1000 ft. (305 m)
Dimensions:	

Figure A: CSR-V Dimensions (EU Version)

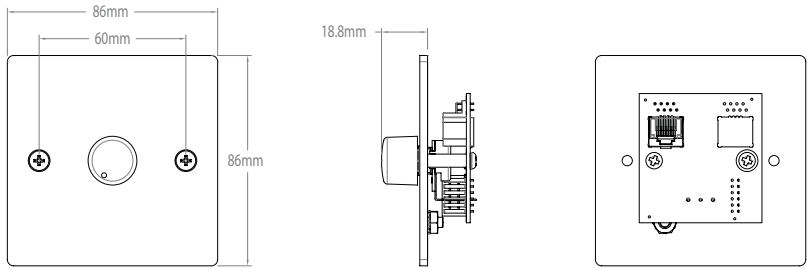


Figure B: CSR-2SV/CSR-3SV Dimensions (EU Version)

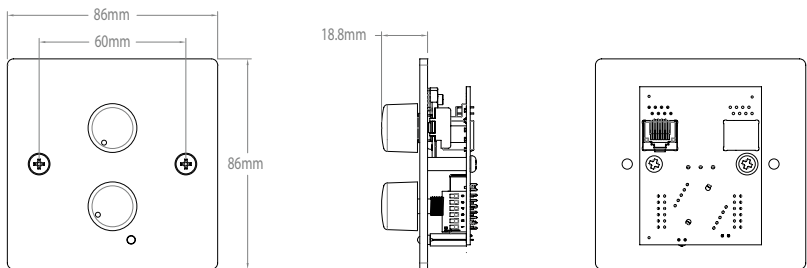


Figure C: CSR-V Dimensions (US Version)

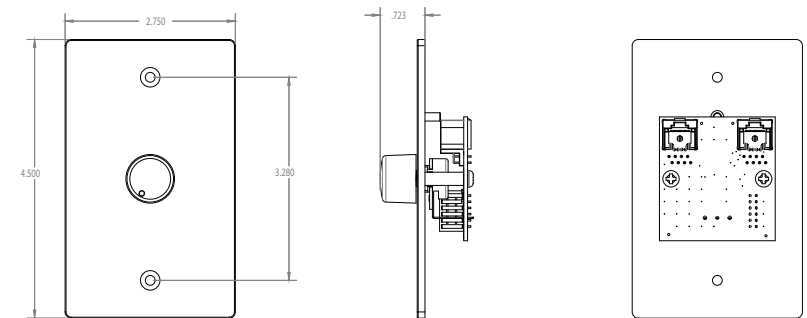


Figure D: CSR-2SV/CSR-3SV Dimensions (US Version)

